

- Commercial Applications
- ASME Construction
- Minimize Pump Run Times, Extends Life of Pump
- FDA Approved Materials
- High Maximum Operating Temperatures
- 125 PSI Maximum Working Pressure
- Higher Working Pressures of 175 PSI and 250 PSI Available



**Designed for Potable Well Water
and Booster Pump Systems**

ASME Expansion Tanks

SERIES WTA PRE-CHARGED TANKS

WTA Well Water Tanks (ASME Construction)

DESCRIPTION

The Series WTA expansion tank is an ASME constructed precharged vessel. The WTA tanks will help protect the pump and pressure switches against short cycling. The well tank delivers adequate water under pressure between pump cycles to meet the required demand. It will provide economical system operation by minimizing pump starts, extending the life of the pump motor, and saving energy. The WTA tank will also assist the pump in meeting peak demand.

WTA-401 THROUGH WTA-405 DIAPHRAGM TANKS

Maximum Working Pressure 125 PSI (862kPa)
 Maximum Operating Temperature 200°F (93°C)
 Materials: Polypropylene Liner, Butyl Diaphragm, Steel Shell, Malleable Iron System Connection
 Factory Precharge 30 PSI (207kPa)

WTA-447 THROUGH WTA-457 BLADDER TANKS

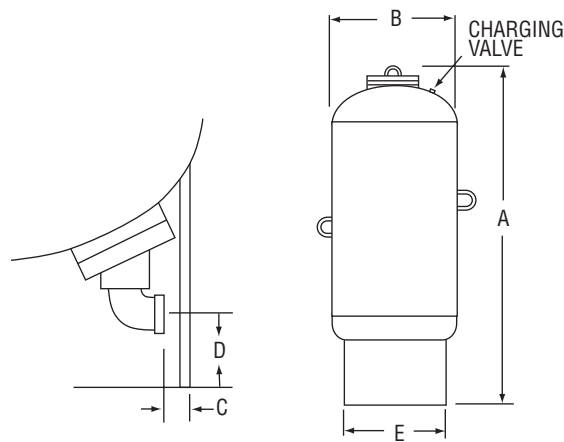
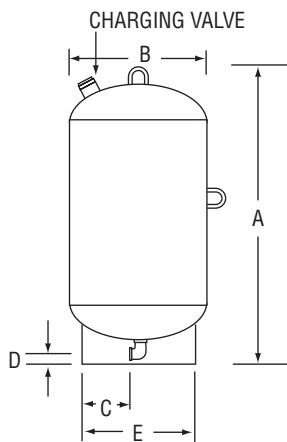
Maximum Working Pressure 125 PSI (862kPa)
 Maximum Operating Temperature 240°F (115°C)
 Materials: Butyl Replaceable Bladder, Steel Shell, Malleable Iron System Connection
 Factory Precharge 25 PSI (172kPa)

All tanks designed and constructed per ASME Section VIII Division 1.

Dimensions: Gallons (Ltrs.), Inches (mm), Weights: LBS (KG)

MODEL NUMBER	PART NUMBER	TANK VOLUME	ACCEPTANCE FACTOR	A HEIGHT	B DIAMETER	C	D	E	SYSTEM CONNECTION	APPROX. SHPG. WT.
WTA-401	1BN151LF	18 (68)	0.65	31 ¹ / ₄ (794)	16 ¹ / ₄ (413)	4 ⁷ / ₈ (124)	1 ¹ / ₂ (38)	12 ³ / ₄ (324)	1	95 (43)
WTA-402	1BN152LF	25 (95)	0.45	39 ³ / ₄ (1010)	16 ¹ / ₄ (413)	4 ⁷ / ₈ (124)	1 ¹ / ₂ (38)	12 ³ / ₄ (324)	1	112 (51)
WTA-403	1BN153LF	34 (129)	0.33	49 ¹ / ₄ (1251)	16 ¹ / ₄ (413)	4 ⁷ / ₈ (124)	1 ¹ / ₂ (38)	12 ³ / ₄ (324)	1	123 (56)
WTA-404	1BN154LF	68 (258)	0.50	47 ¹ / ₄ (1200)	24 (610)	6 ¹ / ₄ (159)	1 ⁵ / ₈ (41)	16 (406)	1 ¹ / ₄	210 (95)
WTA-405	1BN155LF	90 (341)	0.39	59 ¹ / ₄ (1505)	24 (610)	6 ¹ / ₄ (159)	1 ⁵ / ₈ (41)	16 (406)	1 ¹ / ₄	280 (127)
WTA-447	1BN156LF	53 (200)	0.65	45 ¹ / ₄ (1150)	24 (610)	2 (51)	3 ³ / ₄ (95)	19 (483)	2	263 (120)
WTA-448	1BN157LF	80 (300)	0.65	59 ¹ / ₈ (1502)	24 (610)	2 (51)	3 ³ / ₄ (95)	19 (483)	2	308 (140)
WTA-449	1BN158LF	106 (400)	0.65	73 ¹ / ₈ (1857)	24 (610)	2 (51)	3 ³ / ₄ (95)	19 (483)	2	352 (160)
WTA-450	1BN159LF	132 (500)	0.65	86 ⁵ / ₈ (2200)	24 (610)	2 (51)	3 ³ / ₄ (95)	19 (483)	2	392 (178)
WTA-451	1BN160LF	158 (600)	0.65	73 ¹ / ₄ (1867)	30 (762)	3 ¹ / ₂ (89)	5 ¹ / ₂ (140)	24 (610)	2	513 (233)
WTA-452	1BN161LF	211 (800)	0.65	91 (2312)	30 (762)	3 ¹ / ₂ (89)	5 ¹ / ₂ (140)	24 (610)	2	760 (345)
WTA-453	1BN162LF	264 (1000)	0.65	86 (2184)	36 (914)	4 ¹ / ₂ (102)	7 (178)	30 (762)	3	810 (367)
WTA-454	1BN163LF	317 (1200)	0.65	98 (2489)	36 (914)	4 ¹ / ₂ (102)	7 (178)	30 (762)	3	914 (415)
WTA-455	1BN164LF	370 (1400)	0.65	110 ³ / ₈ (2804)	36 (914)	4 ¹ / ₂ (102)	7 (178)	30 (762)	3	1018 (462)
WTA-456	1BN165LF	422 (1600)	0.65	81 ⁷ / ₈ (2080)	48 (1220)	7 ¹ / ₂ (191)	7 ¹ / ₈ (181)	42 (1067)	3	1655 (750)
WTA-457	1BN166LF	528 (2000)	0.65	97 ¹ / ₄ (2470)	48 (1220)	7 ¹ / ₂ (191)	7 ¹ / ₈ (181)	42 (1067)	3	1925 (873)

Dimensions subject to change. Not to be used for construction purposes.



WTA-401 THROUGH WTA-405

WTA-447 THROUGH WTA-457



Xylem Inc.
 8200 N. Austin Avenue
 Morton Grove, Illinois 60053
 Phone: (847) 966-3700
 Fax: (847) 965-8379
www.bellgossett.com